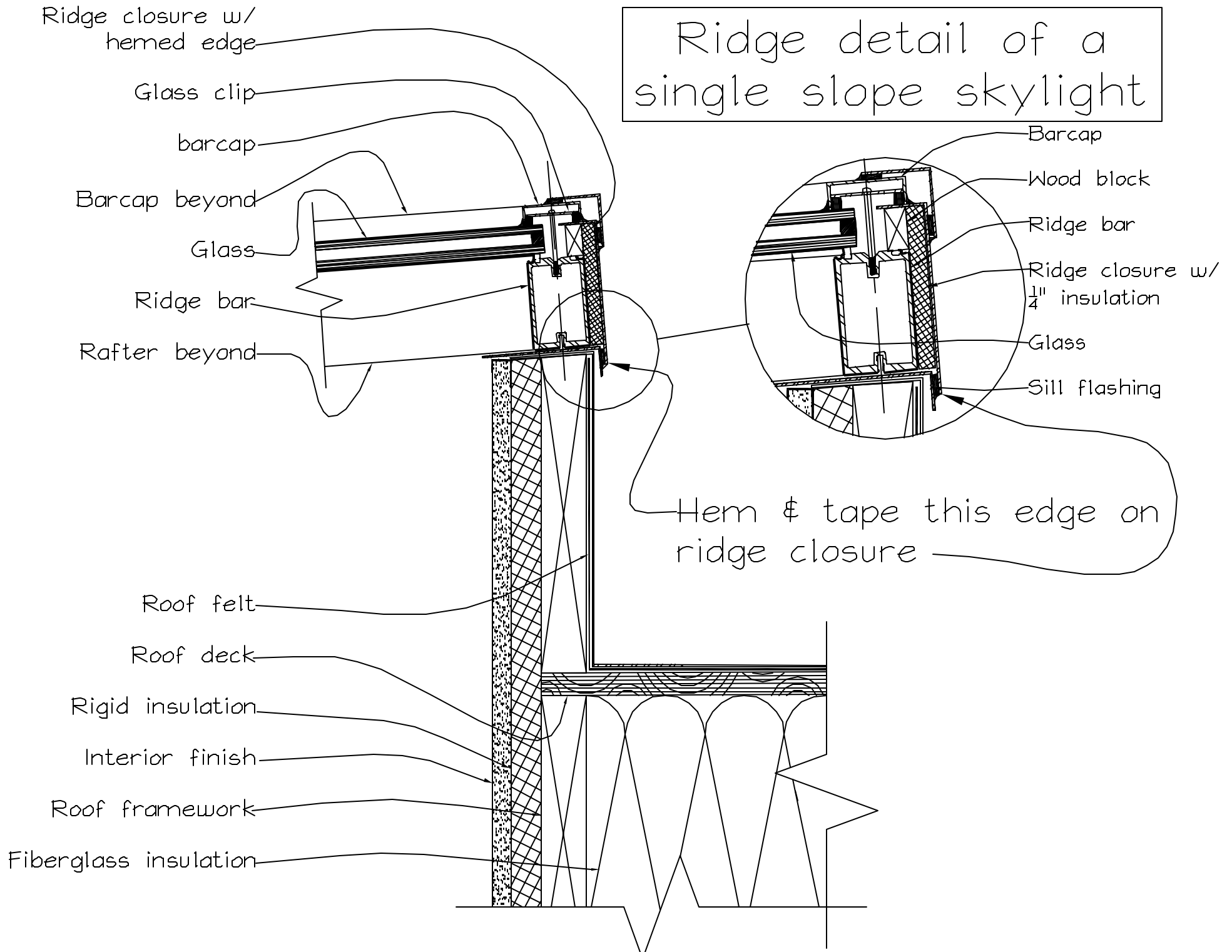
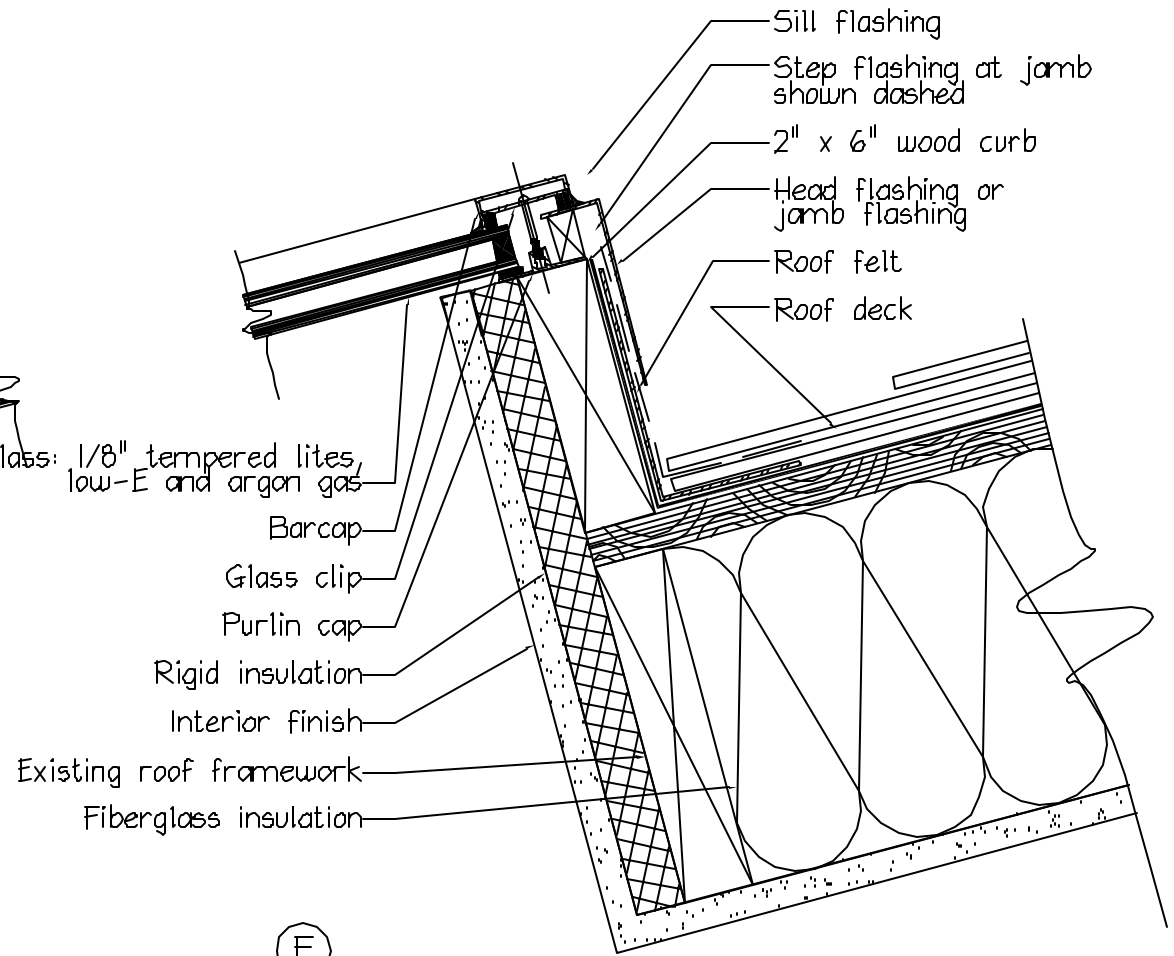
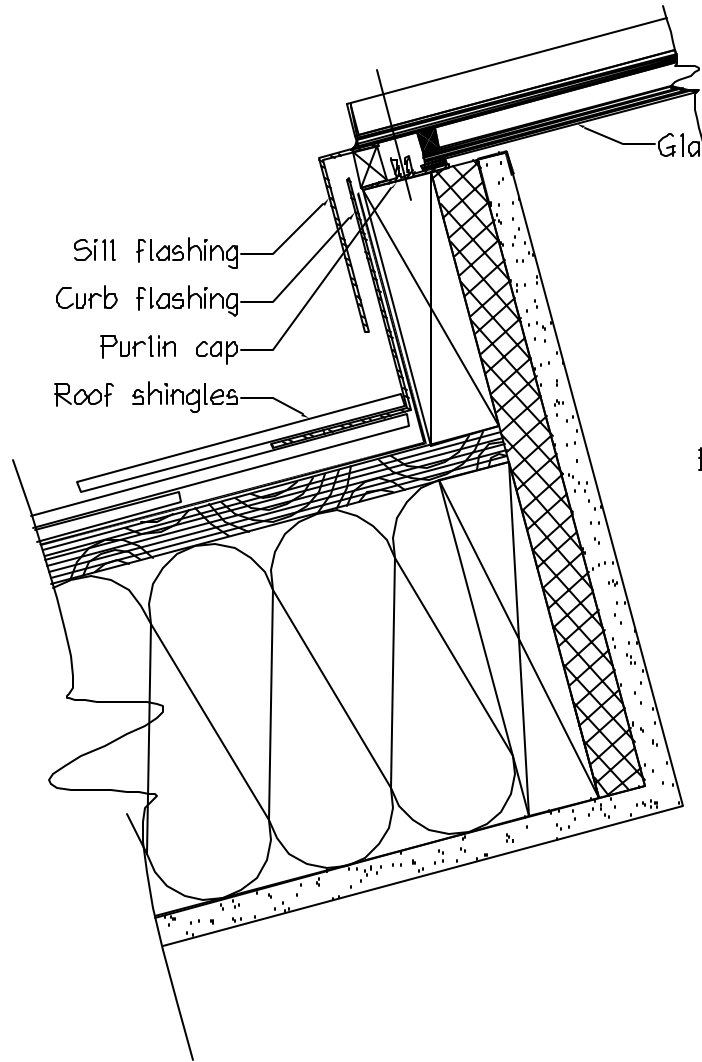


Ridge detail of a single slope skylight



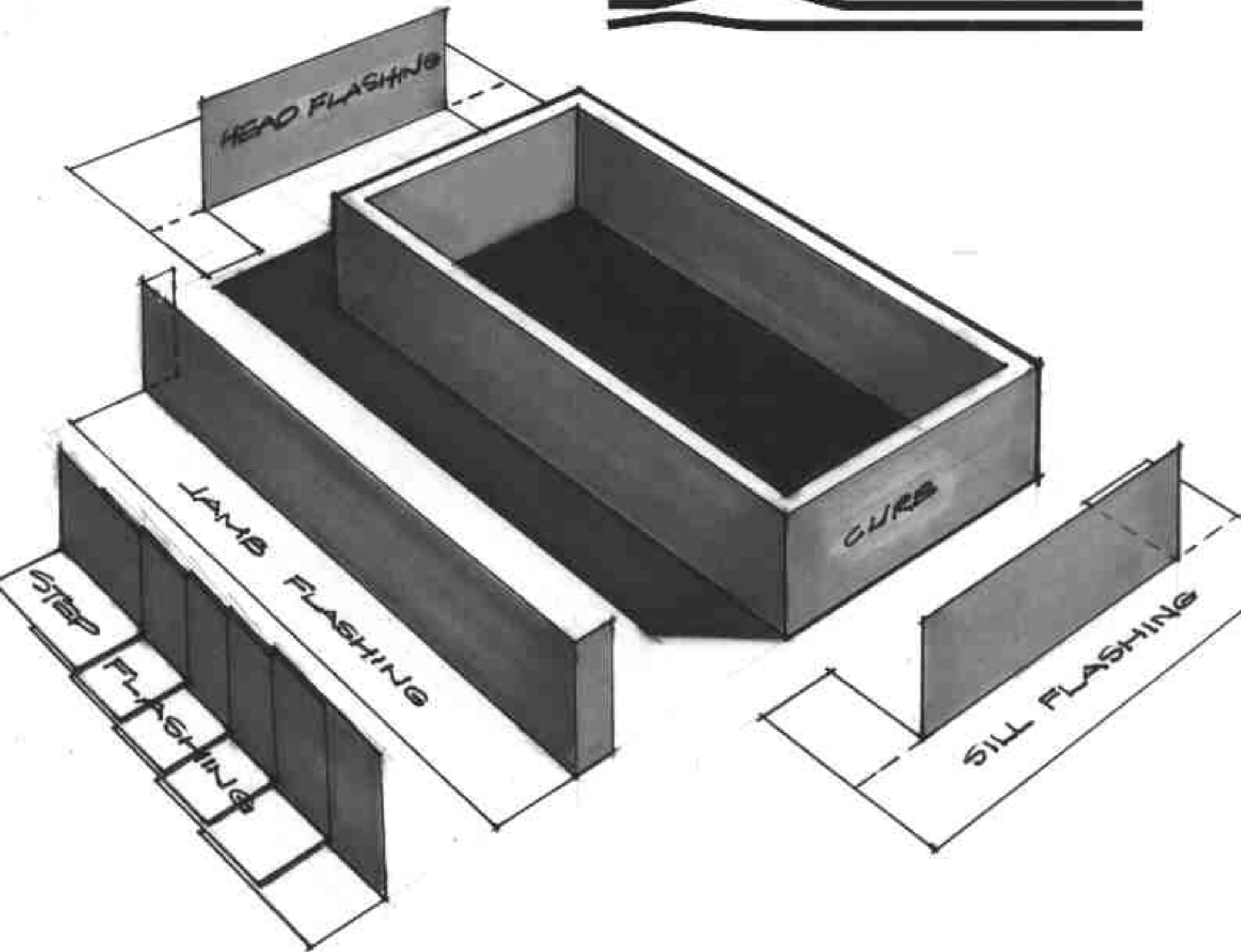
○ WISCONSIN SOLAR DESIGN



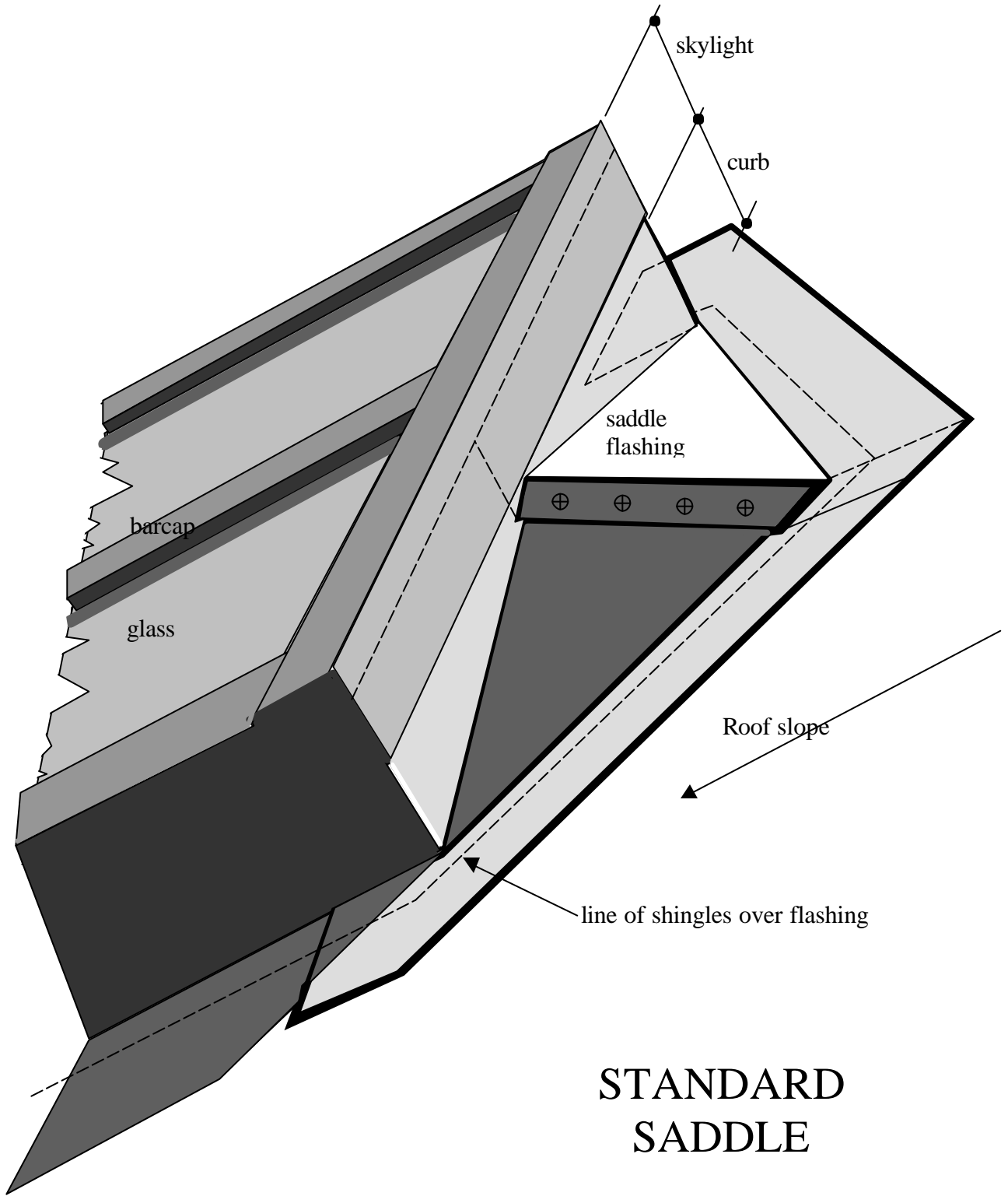
ⓕ
Unit Skylight
scale: 3"=1'-0"

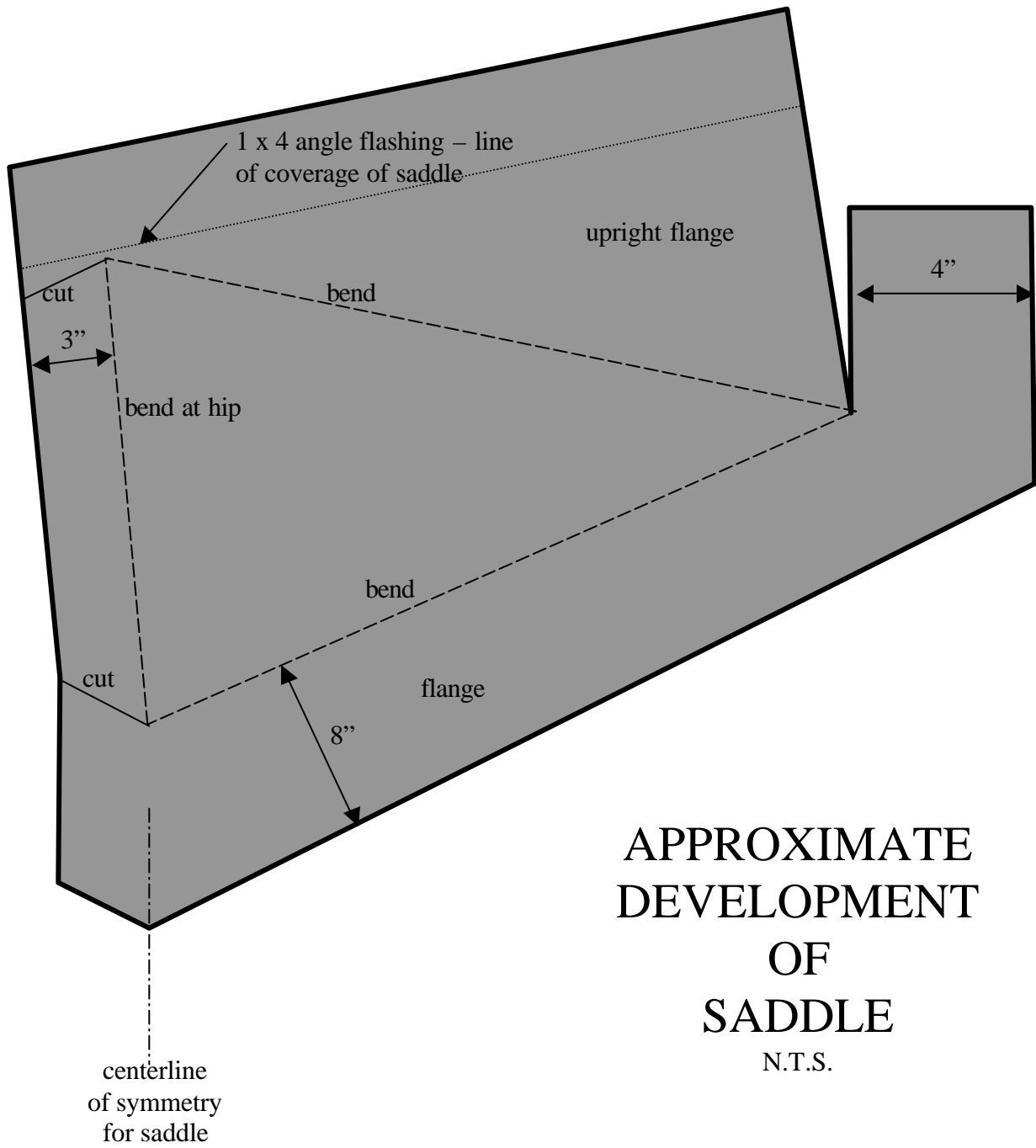


WISCONSIN SOLAR DESIGN



CURB FLASHING KIT





APPROXIMATE
DEVELOPMENT
OF
SADDLE
N.T.S.