

Skylight Plan
 Scale: $\frac{3}{4}'' = 1'-0''$
 (1) thus

Glass Pyramid Skylight Shop Drawings

Specifications:

- (Specify standard color) painted aluminum framework finish and matching flashings.
- Glass type: $1 \frac{1}{8}''$ o.a., $\frac{1}{4}''$ tempered outboard lite over $\frac{3}{8}''$ clear laminated inboard lite, low-e and argon gas fill.
- 6 in 12 (26.6 degrees) roof slope.

Notes:

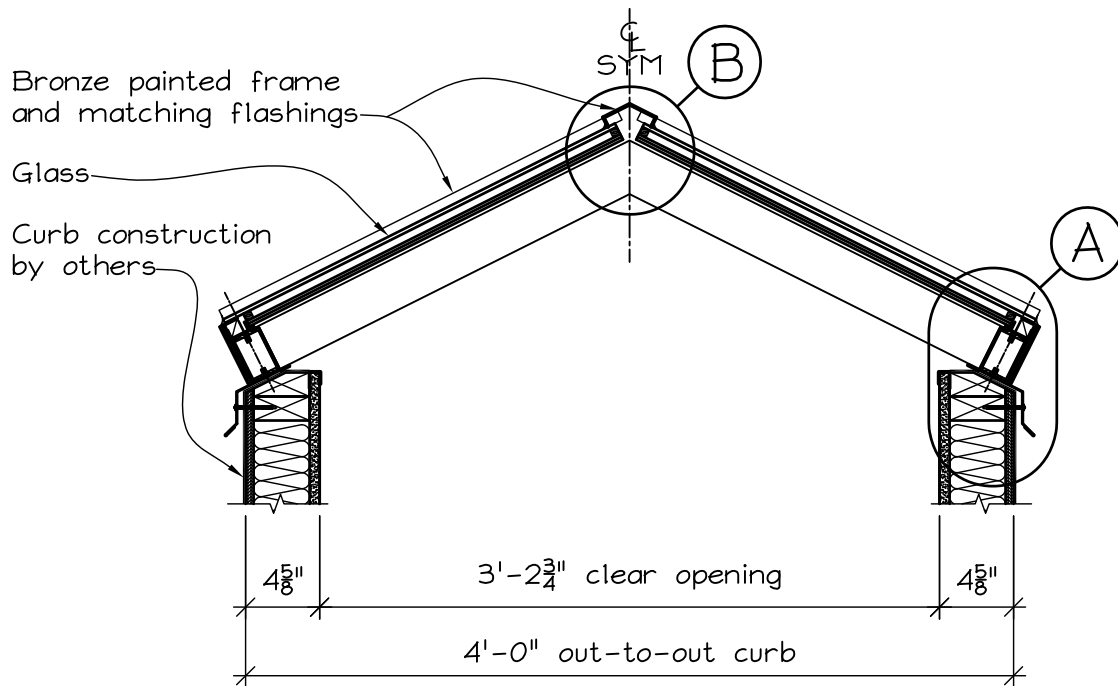
- Provide curb framing with 26.6° chamfer on the top plate.
- Construct curb $x'-y''$ out-to-out.

Drawings prepared by: Jorge M. Medina, Wisconsin Solar Design

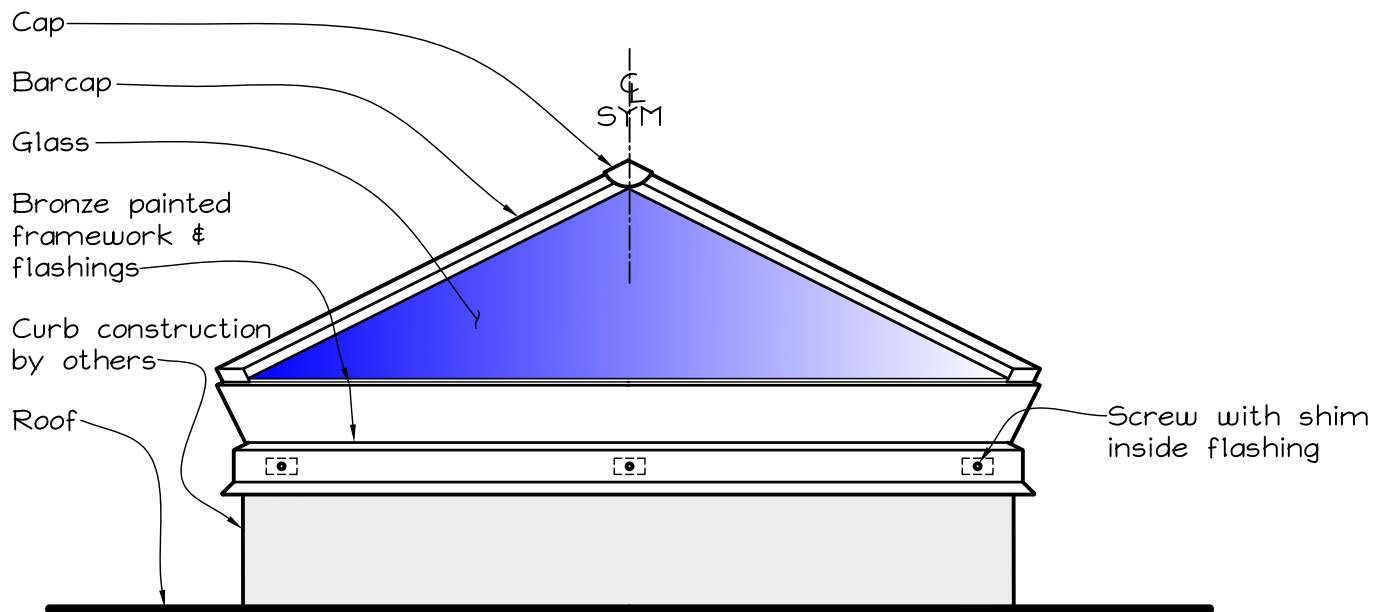
Manufacturer:
WISCONSIN SOLAR DESIGN
 6349 Briarcliff Ln., Middleton, WI 53562

Glass Pyramid Skylight Standard Details and Specifications

1 of 3
 Issued:
 5/25/07



① Cross-Section
Scale: 1" = 1'-0"

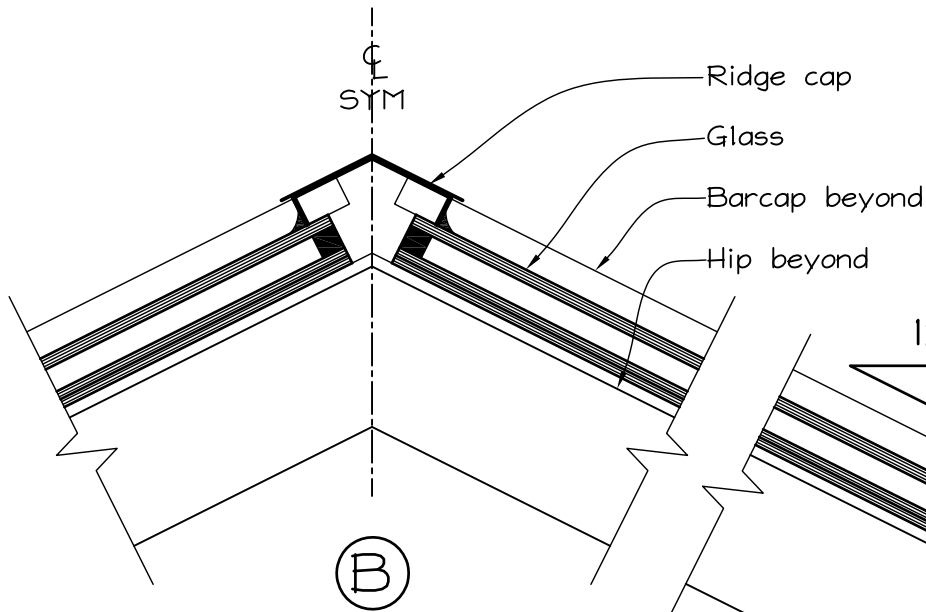


Skylight Elevation
Scale: 1" = 1'-0"
(4) thus

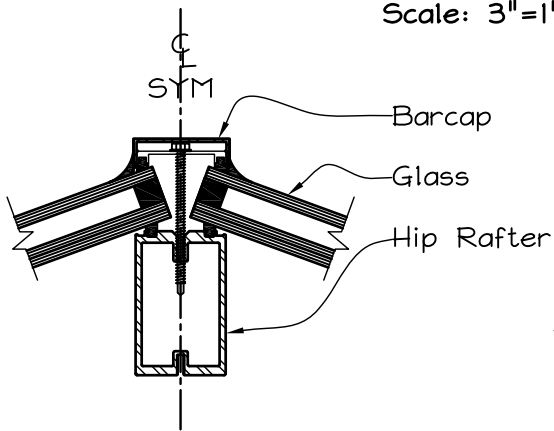
2 of 3
Issued:
5/25/07

Glass Pyramid Skylight
Standard Details and
Specifications

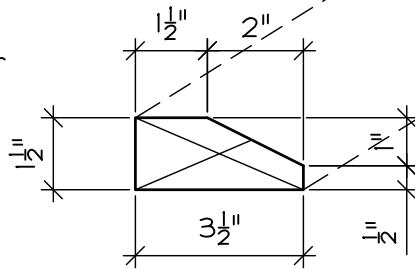
Manufacturer:
WISCONSIN SOLAR DESIGN
6349 Briarcliff Ln., Middleton, WI 53562



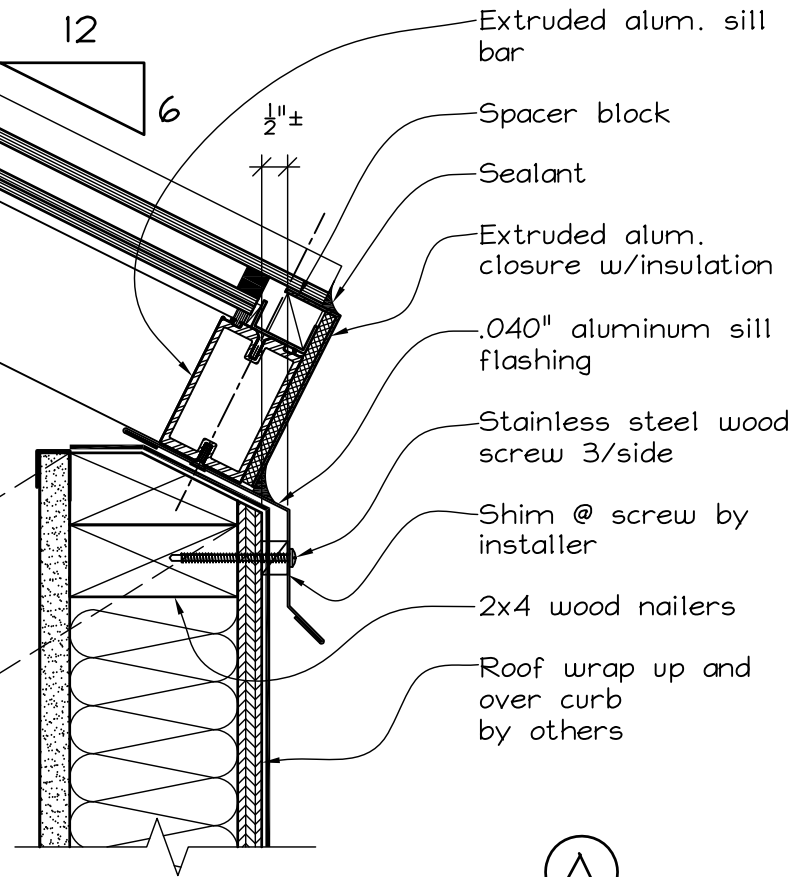
(B)
Ridge
 Scale: 3"=1'-0"



(C)
Hip
 Scale: 3"=1'-0"



Please provide a 26.6° chamfer on the top plate.



(A)
Sill
 Scale: 3"=1'-0"

Manufacturer:
WISCONSIN SOLAR DESIGN
 6349 Briarcliff Ln., Middleton, WI 53562

Glass Pyramid Skylight
 Standard Details and
 Specifications

3 of 3
 Issued:
 5/25/07